

## 120x120x38mm

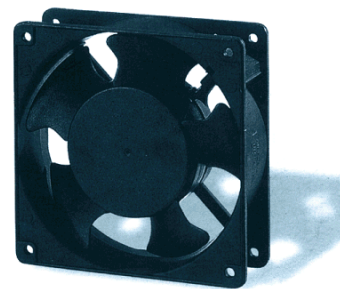
### AC Fan

Frame : Aluminum painted & Plastic (UL94V-O)

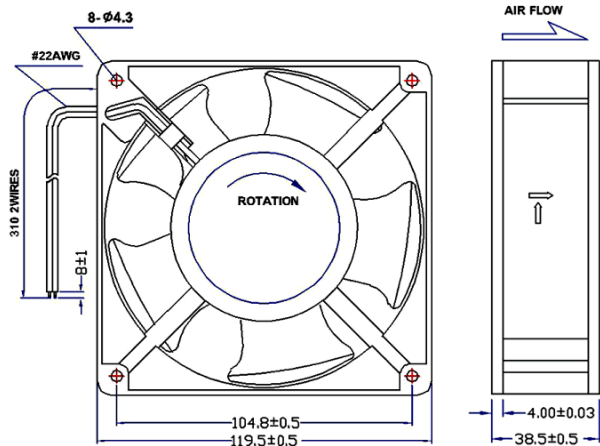
Impeller: Plastic (UL94V-O P.B.T.)

Bearing: Ball Bearing & Sleeve Bearing

Safety Standards: UL/CUL, TUV



Model	Part No. Terminal Leadwire	Bearing System	Rated Voltage (V)	Freq (Hz)	Current (A)	Input Power (W)	Speed (rpm)	Air Flow (CFM)	Static Pressure (mm-H2O)	Noise Level (dB-A)	Weight (g)
UT1238HA24	1238HA24SAT(L)	Sleeve	24	50/60	0.78/0.92	13/15	2600/2900	85/93	0.13/0.25	36/40	520
	1238HA24BAT(L)	Ball	24	50/60	0.78/0.92	13/15	2600/2900	85/93	0.13/0.25	36/40	520



VOLTAGE, CURRENT, SPEED, CURVE

