



United Thermal Engineering Corporation

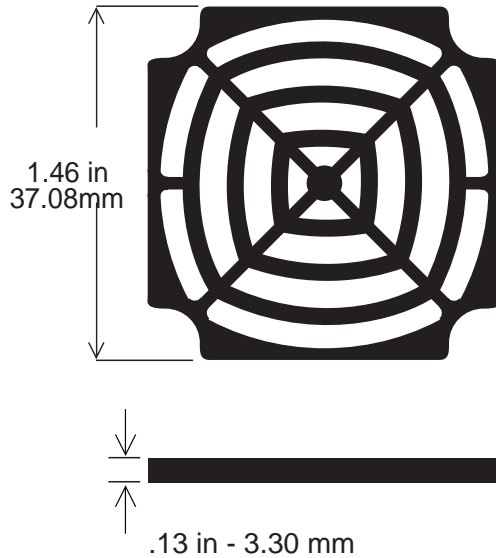
Part Number:

PFF40-P30

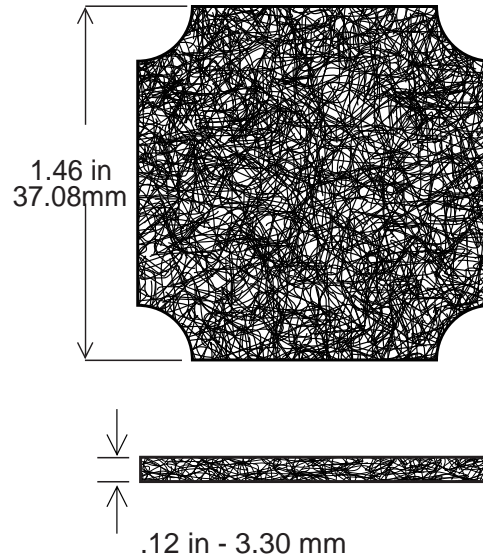
Material: **Plastic UL94V-0**

Media: **Polyurethane Foam UL94HF-1
30PPI**

Retainer



Filter



Guard

