



SPECIFICATION FOR APPROVAL

CUSTOMER:
MODEL NO: **AT6015L-12M2B ND1**
DESCRIPTION:
DATE: 08.08.06

CUSTOMER APPROVAL SIGNATURE

CUSTOMER APPROVED STAMP

*PLEASE RETURN ONE TO US AFTER CHECKING

UTECH

United Thermal Engineering Corporation

453 Ravendale Dr., Suite C

Mountain View, CA 94043

Tel : 650-428-1188

Fax : 650-428-1110

E-Mail : info@utecusa.com

Web Site : www.utecusa.com

PRODUCT SPECIFICATION

A.GENERAL SPECIFICATION

ITEM		SPECIFICATION/CONDITION
A-1	Part No.	AT6015L-12M2B ND1
A-2	Outline Dimension	60x60x15
A-3	Rated Voltage	12V
A-4	Operating Voltage Range	6~13.8V
A-5	Rated Current	0.12A
A-6	Power Consumption	1.44W
A-7	Rated Speed	3800RPM±10%
A-8	Max. Airflow	20.08 CFM
A-9	Max Static Pressure	3.67 mmH2O
A-10	Noise Level	30.7 dBA(Mac:33.3 dBA)
A-11	Rotation Direction	Anti-clockwise Direction

B.ELECTRICAL SPECIFICATION

ITEM		SPECIFICATION/CONDITION
B-1	Temperature life expectancy	70000 Hours(45°C)
B-2	Insulation Resistance	At least 10MΩ at 500VDC between housing and both lead wires.
B-3	Dielectric Strength	Withstand 600VAC 1 minute 1Ma between housing and both lead wires.

C.MAIN MATERIAL/PARTS SPECIFICATION

ITEM	COMPONENTS	MATERIAL OR TYPE	GRADE
C-1	Housing & Impeller	Plastic	
C-2	Splash Proof	NO	
C-3	Weight	33.4g	
C-4	LEAD WIRES	UL1007#24 Single Wire	
C-5	CONNECTOR HOUSING	NP Two lead wire	
C-6	CONNECTOR		
C-7	BEARING	Ball Bearing	

D.ENVIRONMENTAL SPECIFICATION

ITEM		SPECIFICATION/CONDITION
D-1	Operation Temperature	-10°C,~+70°C, /66%(RH)
D-2	Storage Temperature	-40°C,~+70°C, /66%(RH)
D-3	Environment Humidity	Less than 85%(RH)

E-1.Shock test

- Pulse shape : Half-sine wave
- Shock duration time : 2ms
- Velocity : 70~100 inch/sec
- Number of shock : one shock for each of six faces (Total : six shocks)

E-2.Vibration

- Frequency range : 10~500Hz scan 15 minutes
- Direction : X、 Y、 Z
- Acceleration : 1.5g r.m.s each direction 2 hours

Figure 1. Fan Performance Curve

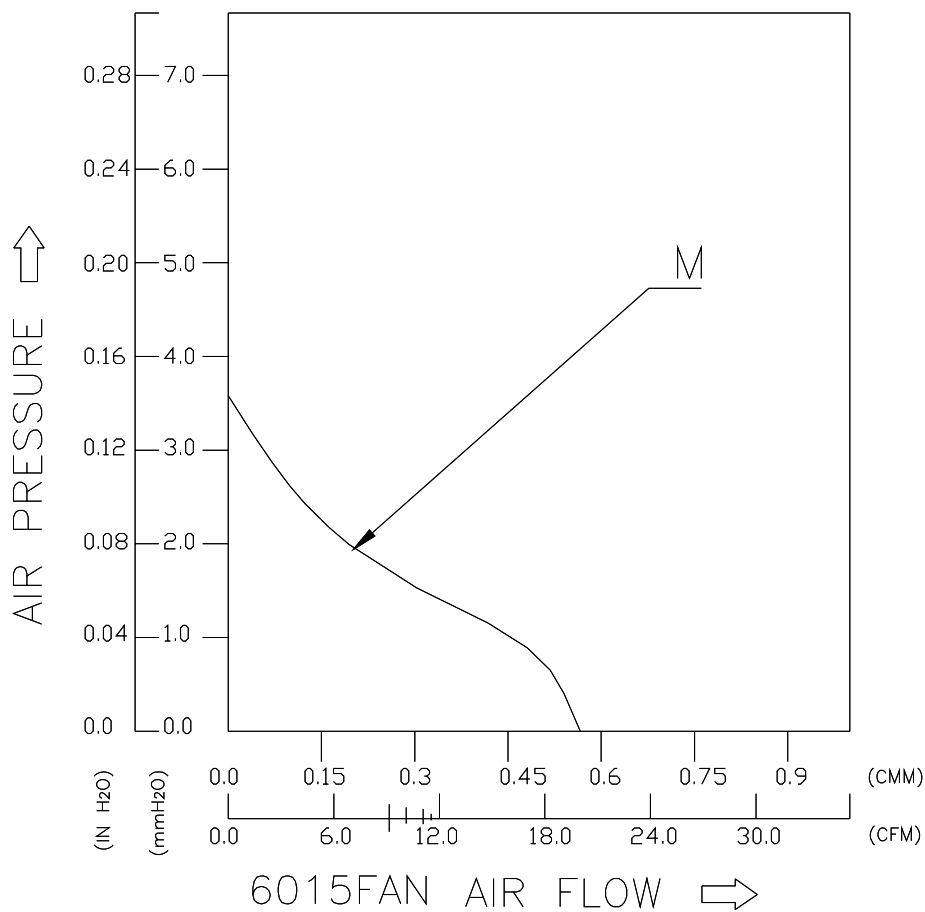
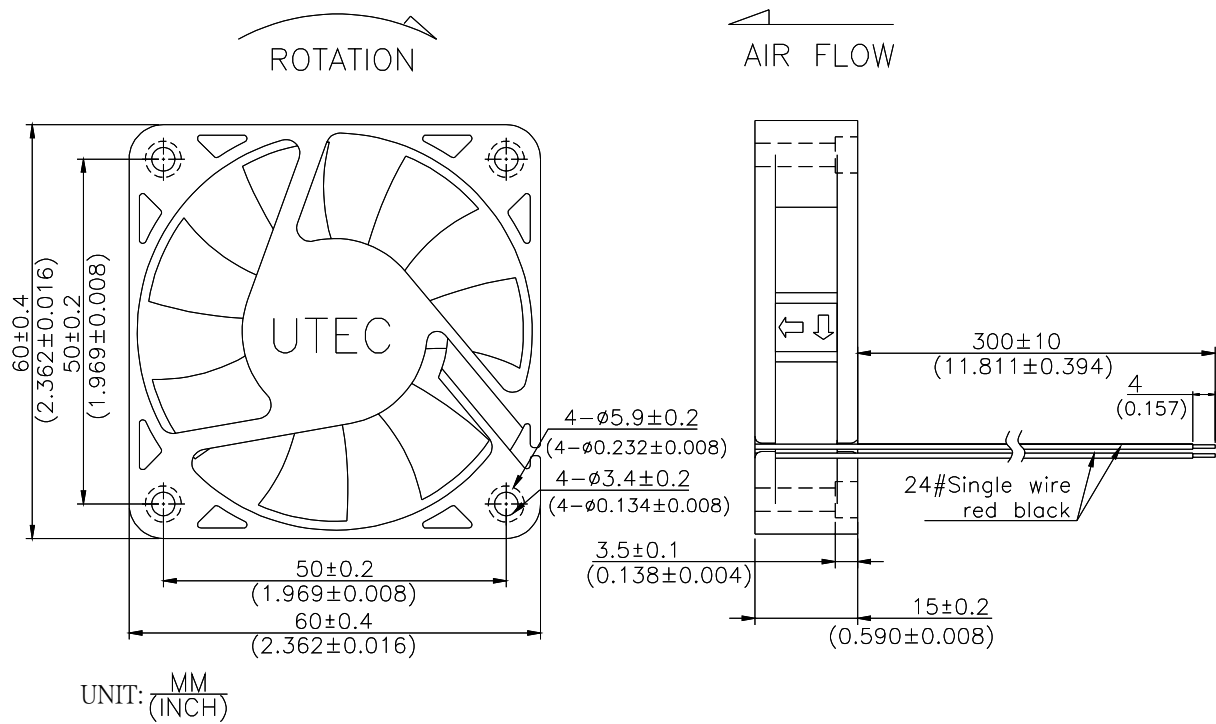


Figure 2 Fan Dimension & Assembly



Notes:

1. Tolerances:
2. Impeller must not protrude beyond front surface
3. Minimum 0.50 radius at all rib intersections
4. Unit: mm