



# SPECIFICATION FOR APPROVAL

CUSTOMER:

MODEL NO: **AT4010L-12M2B ND1**

DESCRIPTION:

DATE: 2008.11.26

CUSTOMER APPROVAL SIGNATURE

CUSTOMER APPROVED STAMP

\*PLEASE RETURN ONE TO US AFTER CHECKING

**UTECH**

**United Thermal Engineering Corporation**

1590 Oakland Rd. Suite B 109

San Jose, CA 95131

Tel : 4108-453-1001

Fax : 408-453-1006

[E-Mail : info@utecusa.com](mailto:info@utecusa.com)

[Web Site : www.utecusa.com](http://www.utecusa.com)

# PRODUCT SPECIFICATION

## A.GENERAL SPECIFICATION

ITEM		SPECIFICATION/CONDITION
A-1	Part No.	AT4010L-12M2B ND1
A-2	Outline Dimension	40x40x10
A-3	Rated Voltage	12V
A-4	Operating Voltage Range	9~13.8V
A-5	Starting voltage	9V
A-6	Rated Current	0.07A(Max:0.084A)
A-7	Power Consumption	0.84W(Max:1.92W)
A-8	Rated Speed	5000RPM±10%
A-9	Max. Airflow	5.57 CFM
A-10	Max Static Pressure	1.59 mmH2O
A-11	Noise Level	25.3 dBA(Max:27.5dBA)
A-12	Rotation Direction	Anti-clockwise Direction

## B.ELECTRICAL SPECIFICATION

ITEM		SPECIFICATION/CONDITION
B-1	Temperature life expectancy	70000 Hours(45°C)
B-2	Insulation Resistance	At least 10MΩ at 500VDC between housing and both lead wires.
B-3	Dielectric Strength	Withstand 600VAC 1 minute 1Ma between housing and both lead wires.

## C.MAIN MATERIAL/PARTS SPECIFICATION

ITEM	MAJOR COMPONENTS	MATERIAL OR TYPE	GRADE
C-1	Housing & Impeller	Plastic	
C-2	Splash Proof	NO	
C-3	Weight	12g	
C-4	LEAD WIRES	UL2468#26 Parallel Wire	
C-5	CONNECTOR HOUSING	NP Two lead wire	
C-6	CONNECTOR		
C-7	BEARING	Ball Bearing	

## D.ENVIRONMENTAL SPECIFICATION

ITEM		SPECIFICATION/CONDITION
D-1	Operation Temperature	-10°C,~+70°C, /66%(RH)
D-2	Storage Temperature	-40°C,~+70°C, /66%(RH)
D-3	Environment Humidity	Less than 85%(RH)

## E-1.Shock test

Pulse shape : Half-sine wave

Shock duration time : 2ms

Velocity : 70~100 inch/sec

Number of shock : one shock for each of six faces ( Total : six shocks )

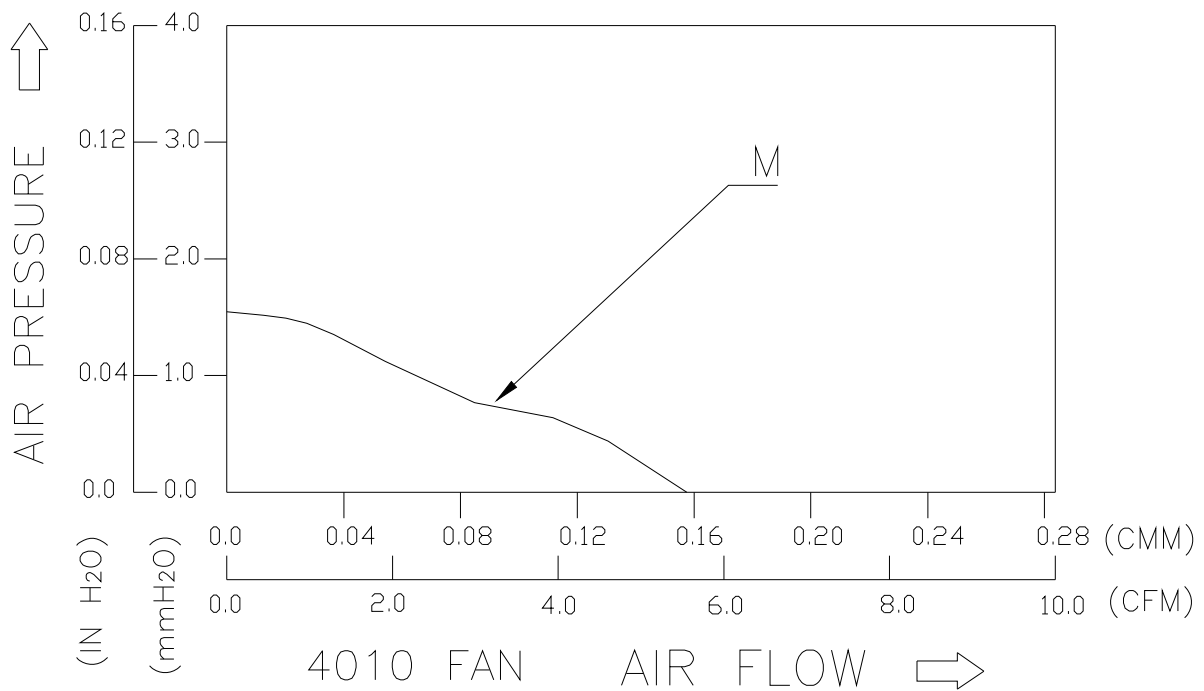
## E-2.Vibration

Frequency range : 10~500Hz scan 15 minutes .

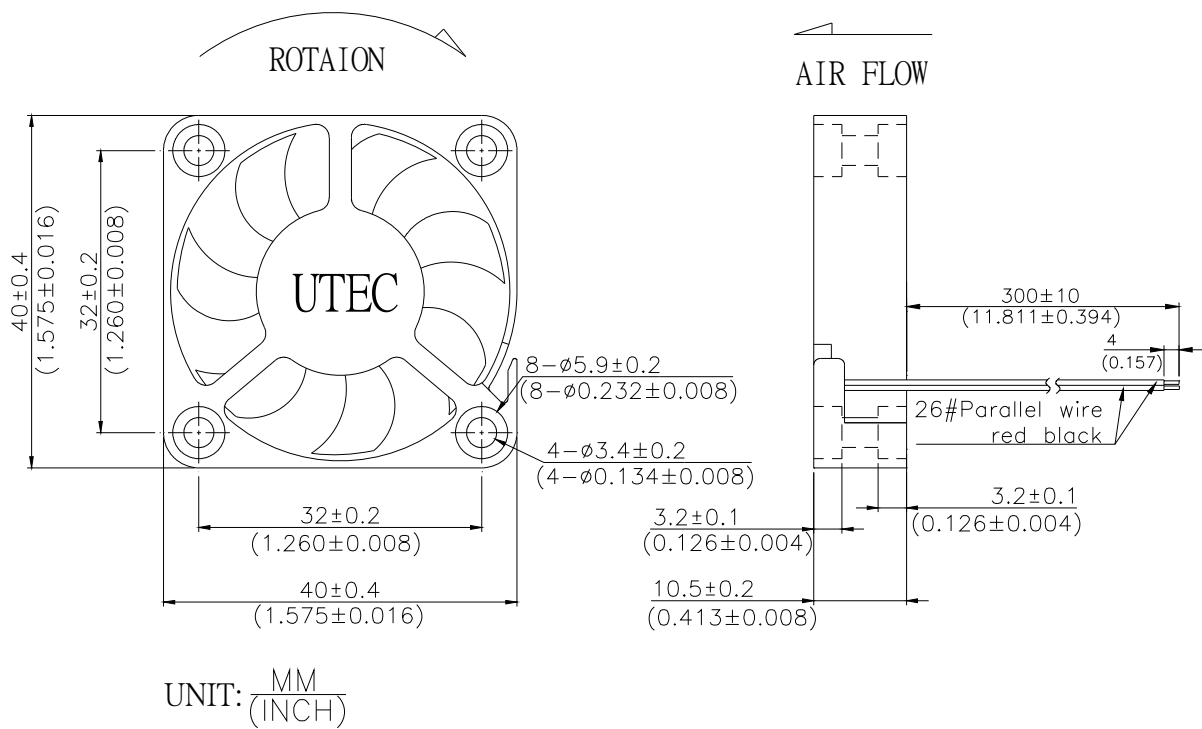
Direction : X 、 Y 、 Z .

Acceleration : 1.5g r.m.s, each direction 2 hours .

Figure 1. Fan Performance Curve



## Figure 2 Fan Dimension & Assembly



**Notes:**

1. Tolerances:
2. Impeller must not protrude beyond front surface
3. Minimum 0.50 radius at all rib intersections
4. Unit: mm