



SPECIFICATION FOR APPROVAL

CUSTOMER:

MODEL NO:

AT9238L-48HH2B-PD1

DESCRIPTION:

DATE:

2008.11.07

CUSTOMER APPROVAL SIGNATURE

| |
|-------------------------|
| CUSTOMER APPROVED STAMP |
| |

*PLEASE RETURN ONE TO US AFTER CHECKING

UTECH

United Thermal Engineering Corporation

453 Ravendale Dr., Suite C

Mountain View, CA 94043

Tel : 650-428-1188

Fax : 650-428-1110

[E-Mail : info@utecusa.com](mailto:info@utecusa.com)

[Web Site : www.utecusa.com](http://www.utecusa.com)

PRODUCT SPECIFICATION

A.GENERAL SPECIFICATION

| ITEM | | SPECIFICATION/CONDITION |
|------|-------------------------|--------------------------|
| A-1 | Part No. | AT9238L-48HH2B-PD1 |
| A-2 | Outline Dimension | 92x92x38 |
| A-3 | Rated Voltage | 48V |
| A-4 | Operating Voltage Range | 38~52.8V |
| A-5 | Starting voltage | 38V |
| A-6 | Rated Current | 0.29A(Max:0.32A) |
| A-7 | Power Consumption | 16.8W |
| A-8 | Rated Speed | 4400RPM±10% |
| A-9 | Max. Airflow | 107.01 CFM |
| A-10 | Max Static Pressure | 12.4 mmH2O |
| A-11 | Noise Level | 54.3dBA(Max:56.7dBA) |
| A-12 | Rotation Direction | Anti-clockwise Direction |
| A-13 | AT9238L-48HH2B-PD1 | Auto Restart Function |

B.ELECTRICAL SPECIFICATION

| ITEM | | SPECIFICATION/CONDITION |
|------|-----------------------------|--|
| B-1 | Temperature life expectancy | 70000 Hours(45°C) |
| B-2 | Insulation Resistance | At least 10MΩ at 500VDC between housing and both lead wires. |
| B-3 | Dielectric Strength | Withstand 600VAC 1 minute 1Ma between housing and both lead wires. |

C.MAIN MATERIAL/PARTS SPECIFICATION

| ITEM | MAJOR COMPONENTS | MATERIAL OR TYPE | GRADE |
|------|--------------------|-----------------------|-------|
| C-1 | Housing & Impeller | Plastic | |
| C-2 | Splash Proof | NO | |
| C-3 | Weight | 181.2g | |
| C-4 | LEAD WIRES | UL1007#24 Single Wire | |
| C-5 | CONNECTOR HOUSING | NP Two lead wire | |
| C-6 | CONNECTOR | | |
| C-7 | BEARING | Ball Bearing | |

D.ENVIRONMENTAL SPECIFICATION

| ITEM | | SPECIFICATION/CONDITION |
|------|-----------------------|-------------------------|
| D-1 | Operation Temperature | -10°C,~+70°C, /66%(RH) |
| D-2 | Storage Temperature | -40°C,~+70°C, /66%(RH) |
| D-3 | Environment Humidity | Less than 85%(RH) |

E-1.Shock test

Pulse shape : Half-sine wave

Shock duration time : 2ms

Velocity : 70~100 inch/sec

Number of shock : one shock for each of six faces (Total : six shocks)

E-2.Vibration

Frequency range : 10~500Hz scan 15 minutes .

Direction : X、 Y、 Z .

Acceleration : 1.5g r.m.s , each direction 2 hours .

Figure 1. Fan Performance Curve

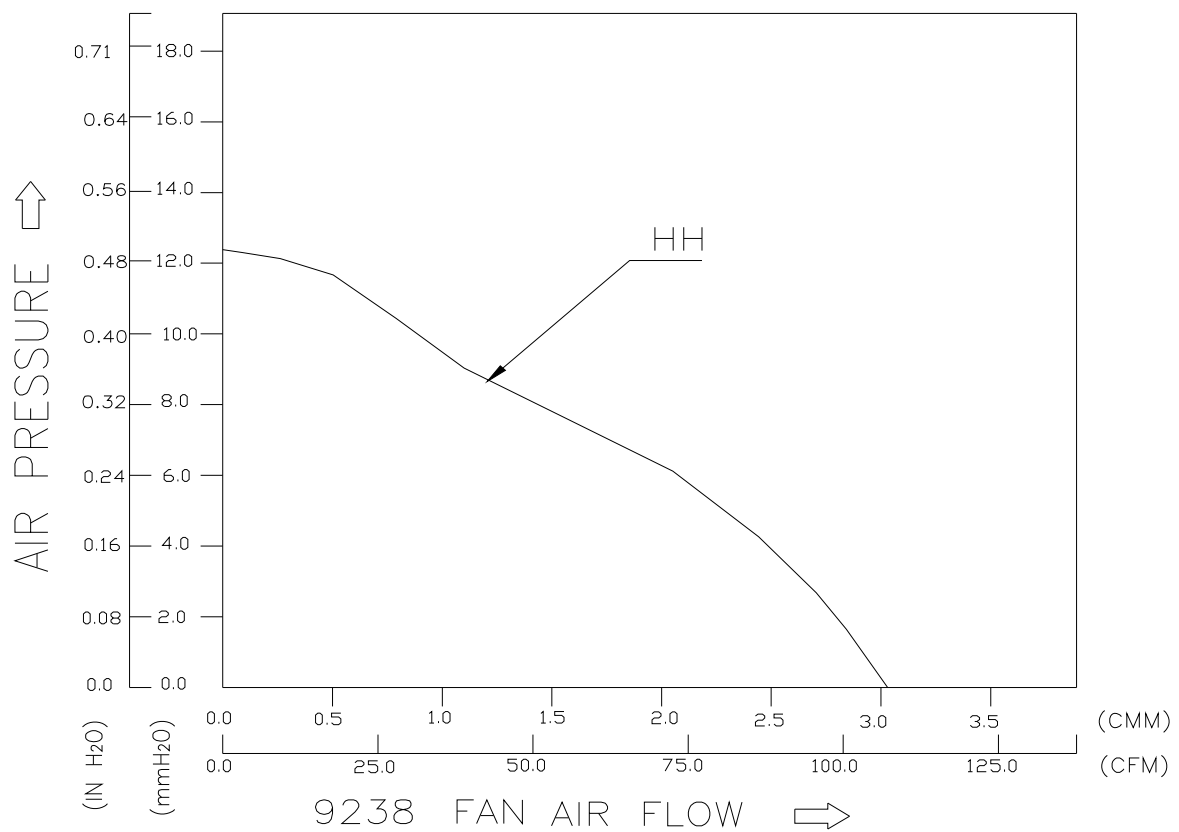
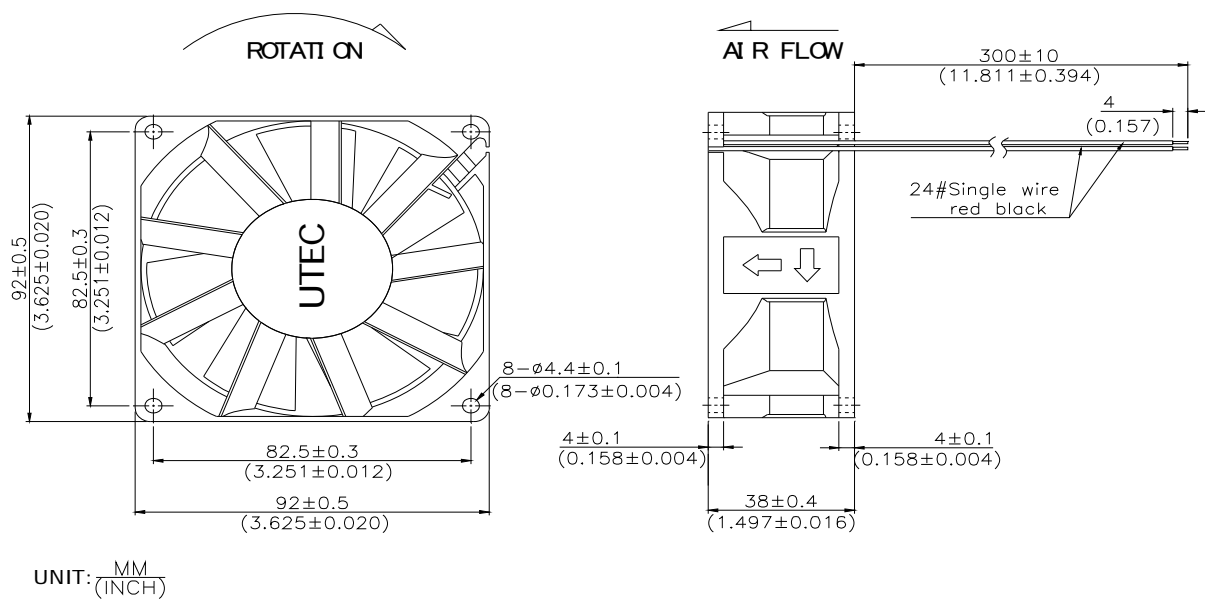


Figure 2 Fan Dimension & Assembly



Notes:

1. Tolerances:
2. Impeller must not protrude beyond front surface
3. Minimum 0.50 radius at all rib intersections
4. Unit: mm