

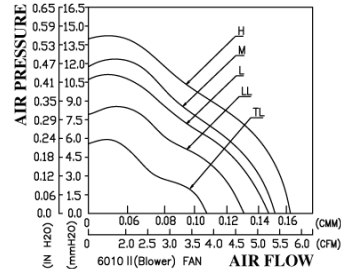
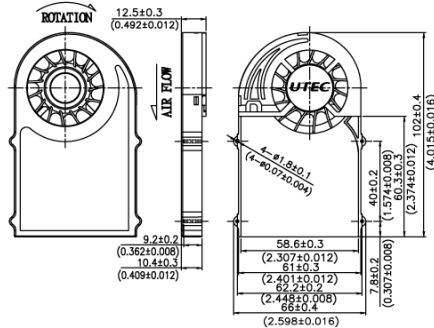
DC Blower Fan

ATB6010L Series

60x60x10mm II



Model	Rated Voltage (VDC)	Operating Voltage (VDC)	Rated Current (AMP)	Power Consumption (WATTS)	Speed Reference (RPM)	AirFlow		Static Pressure		Acoustic Noise (dBA)
						(CMM)	(CFM)	(mm-H ₂ O)	(inch-H ₂ O)	
ATB6010L-12MS/2B/1B/FB	12	7~13.8	0.06	0.72	3000	0.106	3.73	5.66	0.223	23.5
ATB6010L-12HS/2B/1B/FB	12	7~13.8	0.08	0.96	3500	0.131	4.61	7.86	0.309	27.6
ATB6010L-12HHS/2B/1B/FB	12	7~13.8	0.16	1.92	4000	0.153	5.39	10.54	0.415	30.6
ATB6010L-12THS/2B/1B/FB	12	7~13.8	0.21	2.52	4500	0.148	5.22	11.66	0.459	33.6



DC Fan

DC FAN

- Frame & Impeller: Plastic (UL94V-0)
- Bearing: Dual Ball Bearing
- Basic Locked Roter and Polarity Protected
- Safety Standards: UL/CUL, TUV